



OWNER'S MANUAL & WARRANTY

ZGUARD® FOOD SHIELDS

LIGHTS & WARMERS

Thank you for choosing products from BSI. We appreciate your business and are available to assist you with all of your needs.

This manual has been designed to help you better understand your product and its proper usage.

If you have questions that go beyond this detailed manual, please contact our Customer Service Department at 1.800.662.9595.

Thank you,
The BSI Team

TABLE OF CONTENTS

Important Owner Information	2	Lights & Warmers	
Safety Precautions	3	Receiving and Inspecting the Equipment	14
Receipt and Inspection of Equipment	3	Models	14
		Cleaning Instructions.....	15
ZGuard® Food Shields		Identifying Your Product.....	15
Models	3-4	Changing LED Bulb	15
Basic Components and Layout	5	Heating Elements	16
ZGuard Brackets	5	Parts & Service.....	16
ZGuard Bracket Assembly & Parts.....	6	Wiring Installations	17
Glass & Bracket Position.....	7	Wiring Diagrams	18
Glass & Bracket Adjustment.....	7	Warranty.....	19
Cleaning Instructions	7		
ZG9600 Portable Guard Assembly.....	8		
NSF Required End Panels for ZGuard.....	9		
Installation Options.....	10-12		

This manual is an important part of your equipment. Your owner's manual should be stored in a safe location, as it will be useful for the life of your product. It contains important safety information concerning the maintenance, operation, and servicing of these products.

Failure to properly follow this manual may result in serious injury. Do not operate this equipment unless you have read and understood the manual contents.

IMPORTANT OWNER INFORMATION

Record your guards' model number(s) and warming unit serial number(s) (if applicable) to use as a reference when contacting your local representative or BSI headquarters.

Model No.:	
Serial No.:	
Model No.:	
Serial No.:	
Date of Purchase:	
Other:	

BSI Corporate Contact Information

Business Hours: 8:00 AM to 5:00 PM MST
Telephone: 800.662.9595
Fax: 303.331.8444
Web Address: www.bsidesigns.com

SAFETY PRECAUTIONS



The ZGuard® food shield must be installed in accordance with applicable installation code by a person familiar with the product's construction, operation, and potential hazards involved.

RECEIPT AND INSPECTION OF EQUIPMENT

Care should be taken during unloading and uncrating to avoid equipment damage.

1. Visually inspect the package, skid, or container exterior. Any damage should be noted and reported to the delivering carrier immediately.
2. Open and inspect contents for broken glass and verify that all items were received.
3. In the event that damage is discovered, notify the carrier and request freight damage forms.
4. Request an inspection by the shipping company of the damaged equipment. This should be done within 10 days of equipment receipt.
5. Retain all crating materials until an inspection has been made or waived.
6. All packages contain a product owner's manual and warranty document, along with installation drawings for your installer.

All ZGuard models are certified by NSF.



ZGUARD MODELS

ZGuard food shields are manufactured in many different configurations. While the components are similar, your model's glass and posts may not be. The models shown below should be maintained in the same manner based on the instructions within this manual.



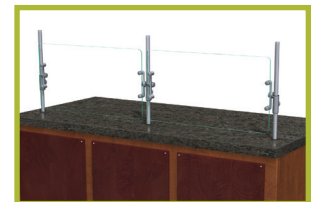
ZG9500



ZG9500-2



ZG9500-3



ZG9500-4



ZG9500-5



ZG9500-6



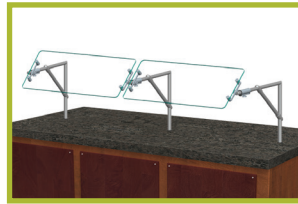
ZG9560



ZG9560-2

ZGUARD MODELS

ZG9600



ZG9900



ZG9915



ZG9930



ZG9930-2



ZG9930-3



ZG9930-5



ZG9935



ZG9945



ZG9945-3



ZG9945-4



ZG9945-5



ZG9950



ZG9950-2

BASIC COMPONENTS & LAYOUT

FIGURE 1

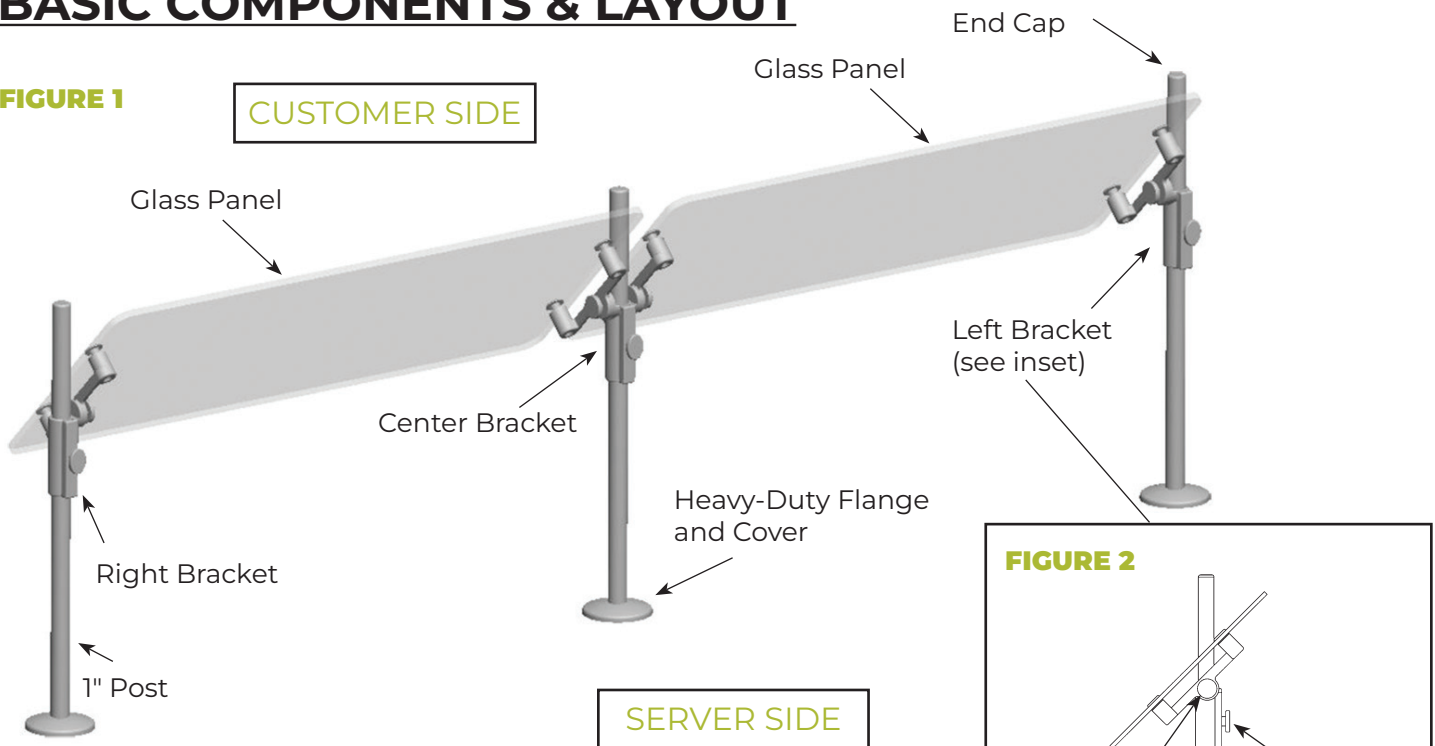


Figure 1 shows a two-panel ZG9500 with a center bracket. Center bracket may be substituted with a stacked left/right bracket combination for a different configuration.

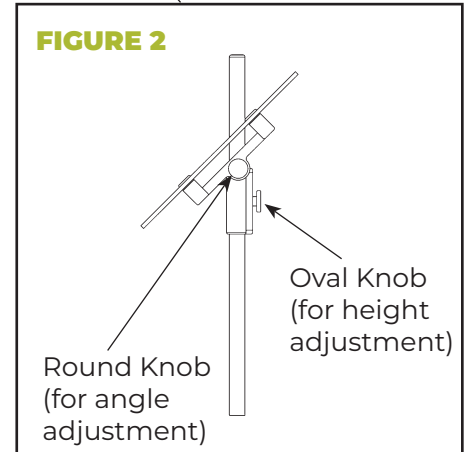
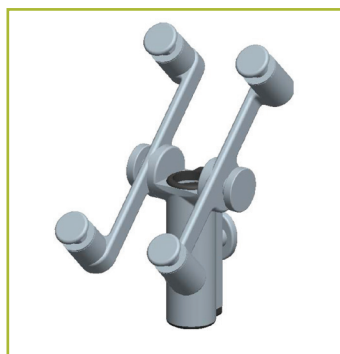


Figure 2 shows section view of Figure 1.

ZGUARD BRACKETS



Left Bracket Assembly



Center Bracket Assembly

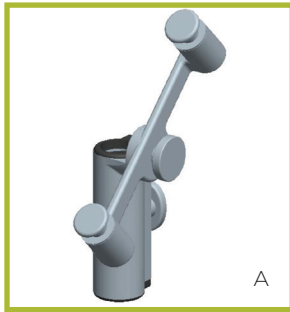


Right Bracket Assembly

SEE EXPLODED VIEWS AND PART NUMBERS ON PAGE 6.

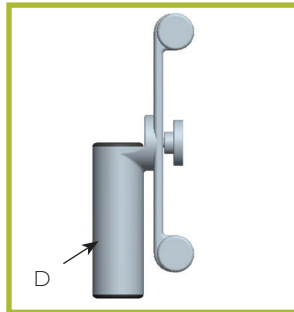
ZGUARD BRACKET ASSEMBLY AND PARTS

Full Assembly

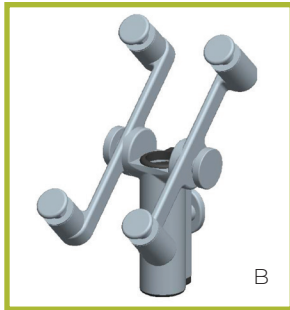


A

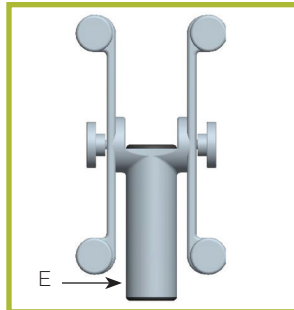
Clamp Section Only



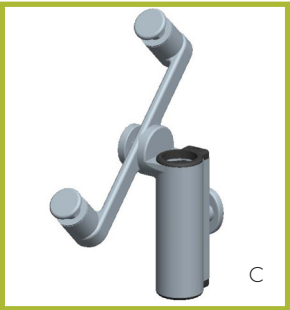
D



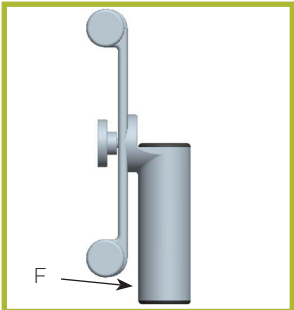
B



E



C

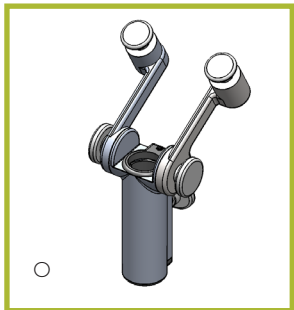


F

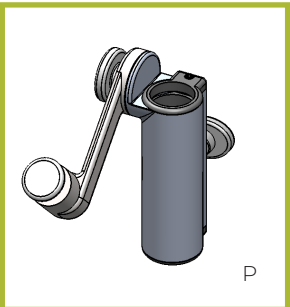
Half Arm Assembly



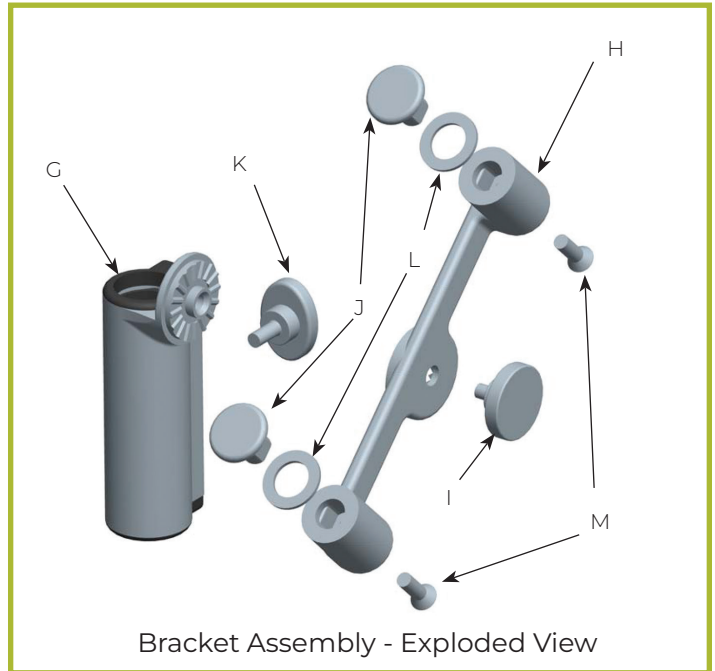
N



O



P



Bracket Assembly - Exploded View

Location	Part #	Part Name
A	553	Left Bracket Assembly
B	554	Center Bracket Assembly
C	555	Right Bracket Assembly
D	322	Left Post Clamp
E	424	Center Post Clamp
F	323	Right Post Clamp
G	324	Post Clamp Insert
H	321	Glass Mounting Clamp
I	326	Round Knob
J	336	Decorative Nut
K	457	Oval Knob
L	484	Clear Mylar Spacer
M		1/4-20 x 1-1/4" Machine Screw Flat Phillips
N	553RX	Left Bracket Right Half Arm Assembly

When ordering you **MUST** designate finish/color.

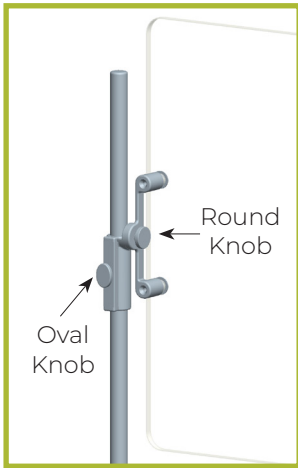
In the event your ZGuard® product needs service and requires major repairs, contact your local installer for assistance.

If you have questions about the products or need to replace minor parts, contact BSI at 800.662.9595.

GLASS AND BRACKET POSITION

Glass panels can be tilted forward or backwards in 22.5° increments. The panels (glass and bracket combination) can be raised or lowered by adjusting the brackets. As detailed in Figure #1 (page 5), the bracket's Oval Knob is shown on the Server Side. Oval Knob location varies based on food shield configuration. The bracket's Round Knob, which holds the Glass Mounting Clamp in place, always faces the food.

GLASS AND BRACKET ADJUSTMENT



ZGuard brackets allow you to adjust the food shield height and angle of glass. Referred to as the 'home' position, bracket and glass will be in vertical position.

With the assistance from a second person, take the following steps to adjust your ZGuard. Cleaning your new ZGuard product is key to its long life.

1. To raise or lower the bracket, loosen the Oval Knob from the Post Clamp. Slide to new position and tighten. (see figure 1)
2. To adjust angle of the glass, loosen the Round Knob and then adjust the glass angle to desired location. (see figure 1)

Figure 1: Bracket and glass in "Home" position.

GLASS LIMITATIONS



The top shelf of any XGuard™ food shield is not intended to bear heavy loads. Total weight should not exceed 75 lbs. across a 36" panel of 3/8" thick glass.

TESTING PARAMETERS

Food Shield:	XG3500
(glass panel positioned at 90° to post)	
Posts & Brackets:	Brushed Aluminum
Glass:	36" x 14" (3/8" thick)
Mounting:	Above Counter
Time:	24 hours

CLEANING INSTRUCTIONS

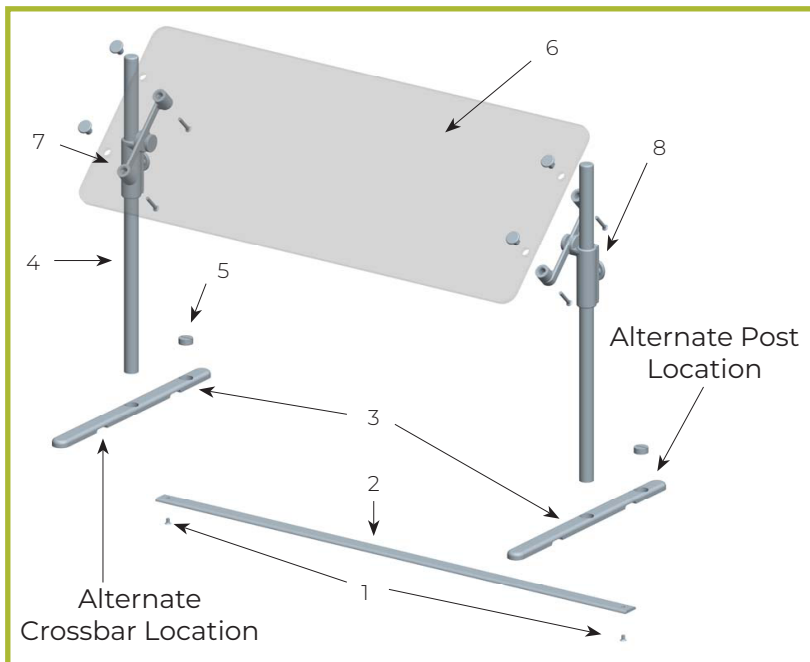
- Wipe the surface with a clean, damp cloth to remove fingerprints, dust, etc.
- Spray with a light coating of glass cleaner to remove grease and dirt. Use a non-ammonia cleaner.
- Do not use brass polish on your food guards as it will degrade the finish.
- Do not scrub the surface with abrasives like steel wool, pot scrubbers, abrasive powders, or similar products as they will remove the protective coating.
- If unit is fitted with a BSI warmer, do not clean the glass or housing when warmer is hot.
- Cleaning the warmer when hot can cause staining or damage to the warmer finish.

ZG9600 PORTABLE GUARD

Assembly Instructions

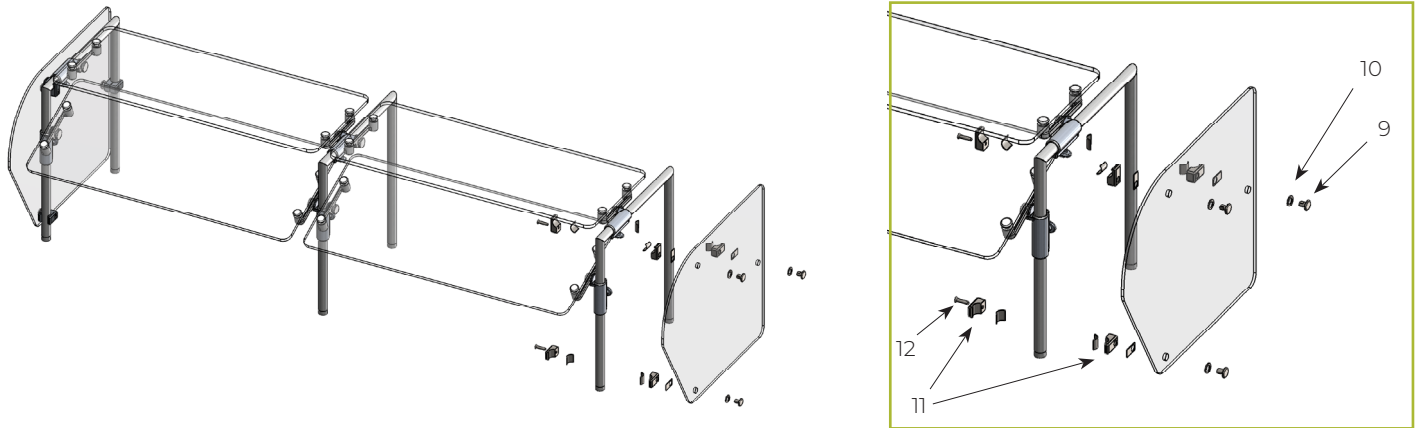
1. From the underside, use the provided screws to attach the stabilizer to each foot. There are two alternate locations for stabilizer placement.
2. Right side up, screw in the two posts. There are two alternate locations for post placement.
3. In the non-used post holes screw in the provided foot plugs.
4. Affix the glass panel to the left and right bracket assemblies.
5. Slide the brackets onto the left and right post.
6. Tighten bracket at level height for secure hold.
7. With the brackets parallel to counter, screw glass panel to the brackets.
7. Adjust glass angle and height as needed.

Location	Part #	Part Name
1		Market Stabilizer Screw
2	415	Market Stabilizer
3	416	Market-Style Foot
4	348	Post
5	361	Foot Plug
6		Glass Panel
7	553	Left Bracket Assembly
8	555	Right Bracket Assembly



NSF REQUIRED END PANELS FOR ZGUARD®

To meet NSF guidelines, end panels are included on all BSI quotations unless specifically excluded.



Location	Part #	Part Name
9	336	Decorative Nut
10	484	Clear Mylar Spacer
11	15756	End Panel Bracket Assembly
12		1/4-20 x 1-1/4" Machine Screw Flat Phillips

NSF End Panel Requirement Exemption

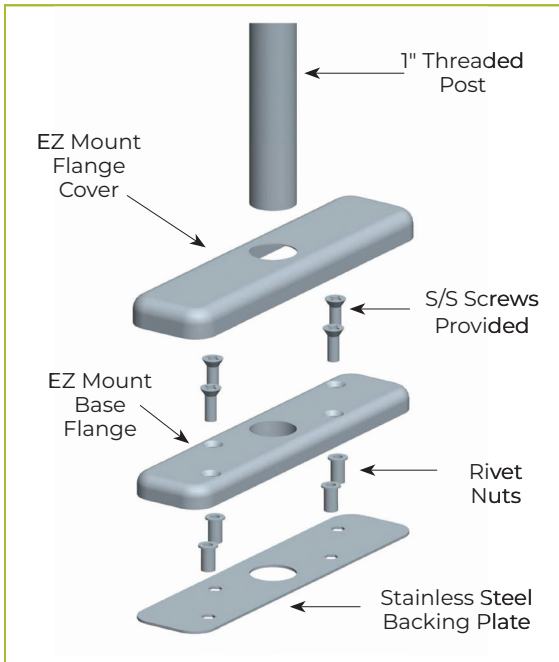
NSF/ANSI Standard 2 - 2018

5.36.1.6.2 A food shield intended to be installed a maximum of 3 inches (76 mm) from a building wall perpendicular to the food shield is exempt from the requirements of 5.36.1.6.1 provided that the height of the building wall is not lower than the overall height of the food shield. The manufacturer's specification sheet, brochure, installation instructions, and/or shop drawings shall include these building wall and proximity requirements.

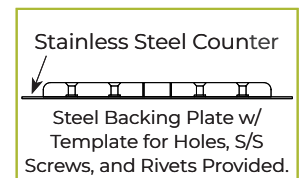
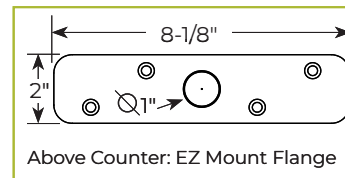
ABOVE-COUNTER INSTALLATION FOR 1" ZGUARD® POSTS

STAINLESS STEEL COUNTERS

EZ Mount - 2" x 8" Flange

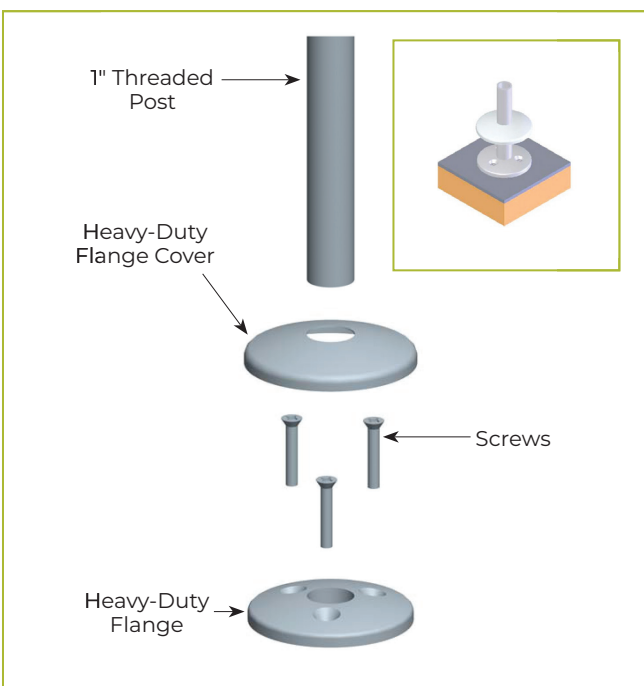


Letter	Part #	Part Name
18	348	1" Threaded Post
19	485	EZ Mount Center Flange Cover
20		10-32 x 1" S/S Screw Flat Phillips
21	470	EZ Mount Base Flange Centered
22		Rivet Nut
23	473	EZ Mount Flange Plate Centered
24	464	Heavy-Duty Flange Cover
25		#12 x 2 A Tapping Screw Flap Phillips
26	471	Heavy-Duty Flange
27	465	Narrow Flange Cover
28	378	Narrow Flange
29	442	Grommet

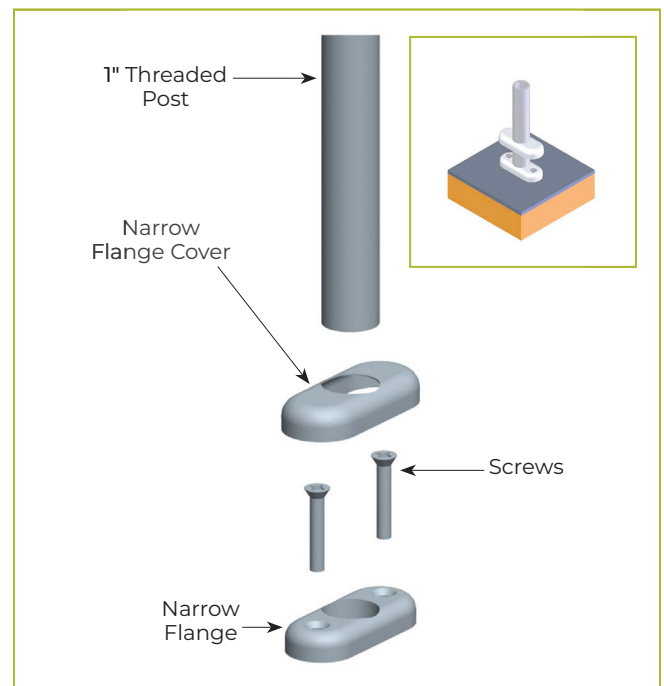


MILLWORK COUNTERS

Heavy-Duty Flange



Narrow Flange

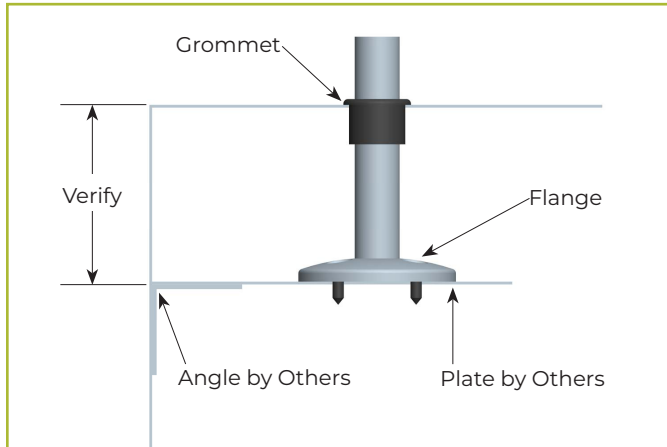


UNDER-COUNTER INSTALLATION FOR 1" ZGUARD® POSTS

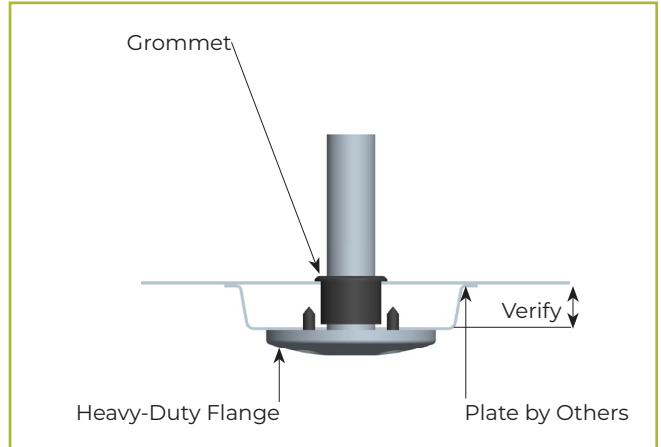
STAINLESS STEEL COUNTERS

(requires under-counter reinforcement and access)

Heavy-Duty Upright Flange or Narrow Upright Flange



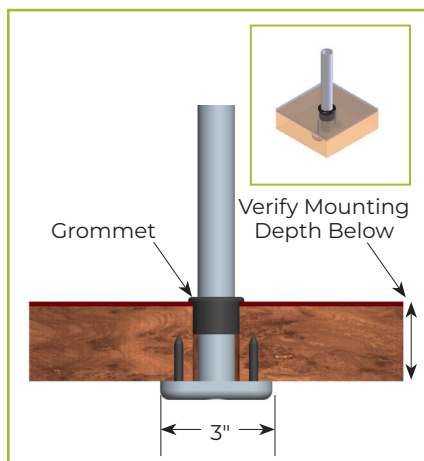
Heavy-Duty Inverted Flange or Narrow Inverted Flange



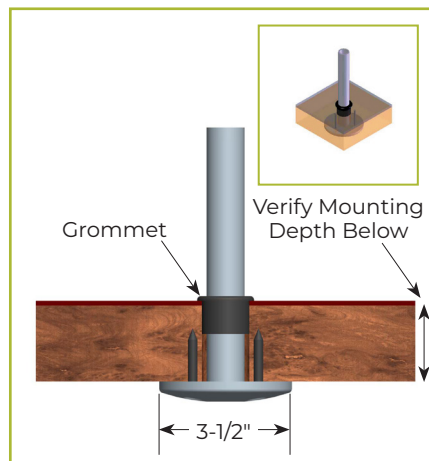
Verify counter thickness or under-counter installation depth in inches.

MILLWORK COUNTERS

Narrow Flange

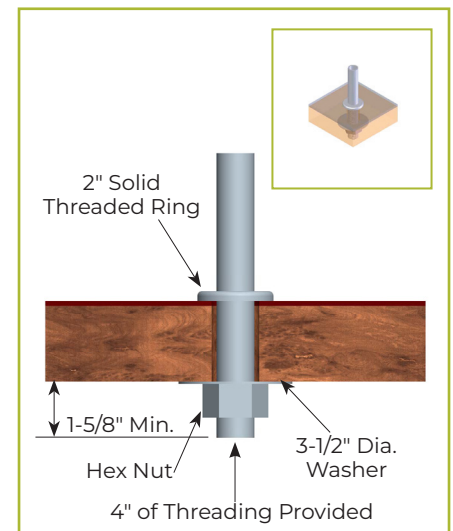


Heavy-Duty Flange

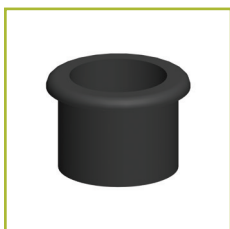


Compression Flange

(not recommended for solid surfaces)



Verify counter thickness or under-counter installation depth in inches.

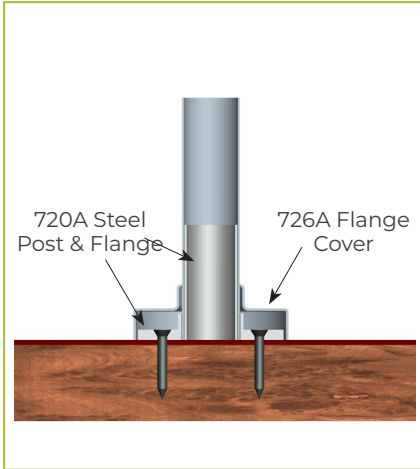


For below-counter installation a 1-1/4" diameter grommet is required. (Part #442)

ABOVE-COUNTER INSTALLATION FOR 1.5" ZGUARD® POSTS

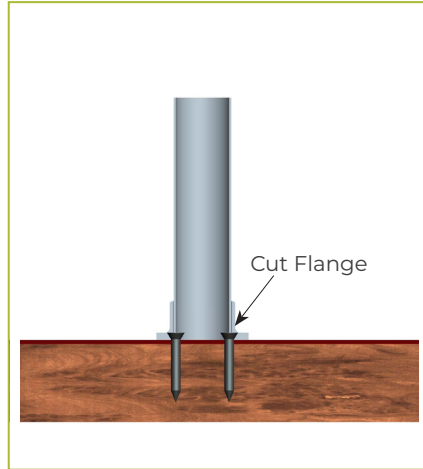
For Millwork Counter

Surface Installation 720A/726A:
Steel Post and Flange w/Flange



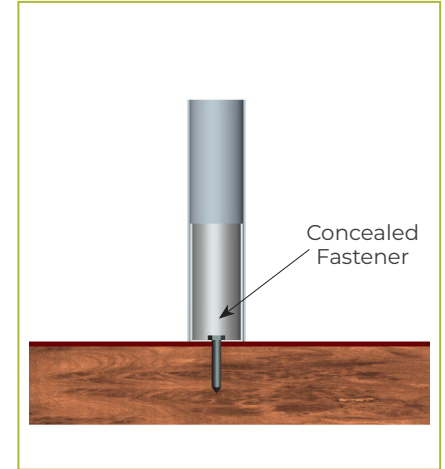
For Millwork Counter

Surface Installation 725A:
Cut Flange



For Millwork Counter

Concealed Fastener
(not for cantilever units)

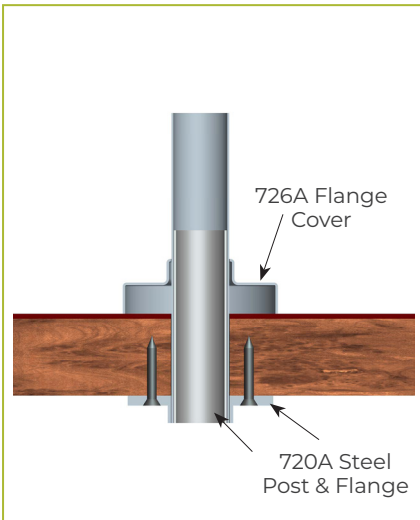


UNDER-COUNTER INSTALLATION FOR 1.5" ZGUARD® POSTS

(requires under-counter reinforcement and access)

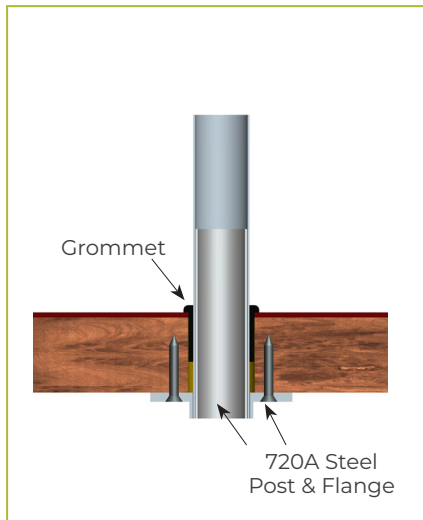
Under-Counter Installation 720A/726A:

Steel Post and Flange w/
Flange Cover



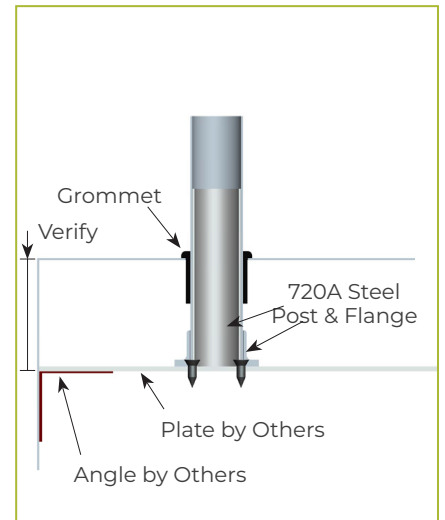
Under-Counter Installation 720A:

Steel Post and Flange w/out
Flange Cover

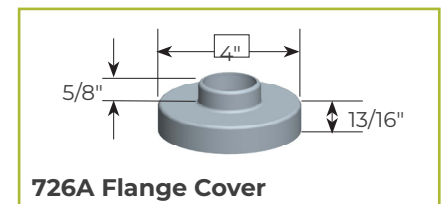
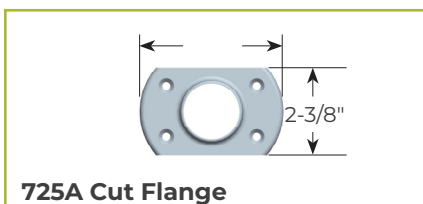
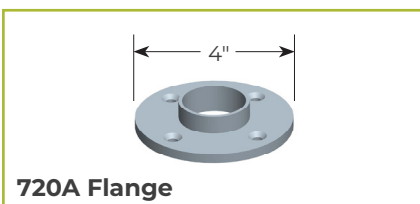


Under-Counter Installation 725A:

Narrow Custom Flange



FLANGE AND FLANGE COVER DIMENSIONS





OWNER'S MANUAL & WARRANTY

LIGHTS & WARMERS

LIGHTS & WARMERS

Food shield systems can be built with lights, warmers, or a combination of the two. Proper maintenance for these products is very important for safety. The following pages will detail the proper methods of keeping your product clean, how and where to exchange parts, and includes diagrams for proper wiring.

RECEIVING AND INSPECTING THE EQUIPMENT

Care should be taken during unloading and uncrating to avoid equipment damage.

1. Visually inspect the package, skid, or container exterior. Any damage should be noted and reported to the delivering carrier immediately.
2. Open and inspect contents for broken glass and verify that all items were received.
3. In the event that damage is discovered, notify the carrier and request freight damage forms.
4. Request an inspection by the shipping company of the damaged equipment. This should be done within 10 days of equipment receipt.
5. Retain all crating materials until an inspection has been made or waived.



ALL LIGHTS, WARMERS AND COMBO UNITS ARE SHIPPED USING ZIP TIES TO SECURE UNITS DURING TRANSIT. AFTER INSTALLATION, CAREFULLY REMOVE ALL ZIP TIES.

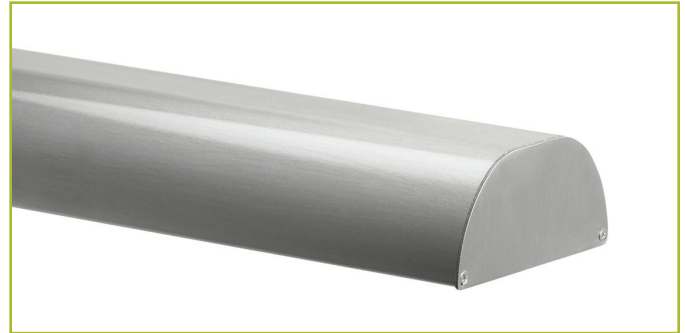


Lights and warmers must be installed in accordance with the applicable installation code by a person familiar with the product's construction, operation, and potential hazards involved.

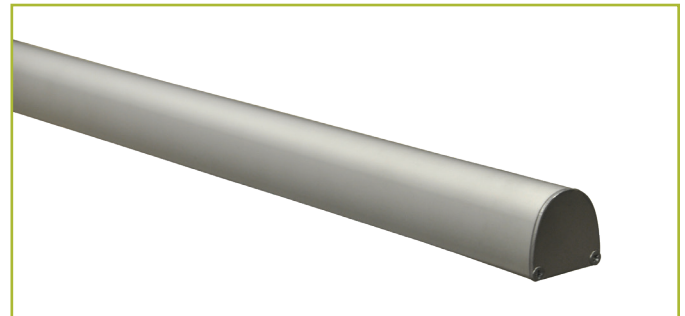
All light and warmer models are certified by NSF.



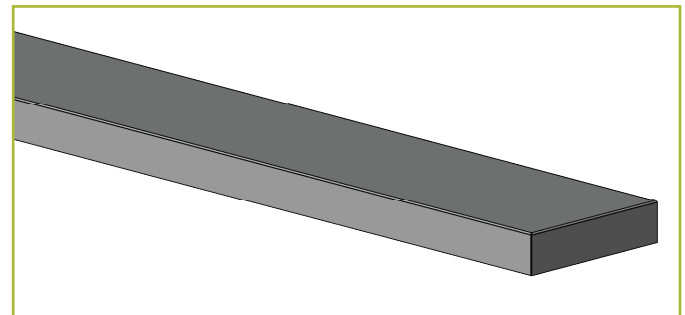
MODELS



Stealth Warmer & Light Combo Model 705
Stealth Warmer Model 790



Slimline Light Model 2580



Stealth Heat/Light/Heat Combo Model 500

CLEANING INSTRUCTIONS

Once your food guard has been properly installed and you have removed all zip ties, it will be important to keep your light, warmer, or combo unit clean to prolong the life of the product.

BSI recommends the following for keeping your product clean:

- Be sure to turn the power off before cleaning. Wait until Stealth warmer is cool. **Cleaning when the warmer is hot can cause staining or damage to food warmer finish.**
- Wipe the surface with a clean, damp cloth to remove fingerprints, dust, etc.
- Spray with a light coating of glass cleaner to remove grease or other dirt. Use a non-ammonia cleaner.
- Be sure not to spray any cleaning product directly into the bulbs, fixtures, or heating elements.

IDENTIFYING YOUR PRODUCT

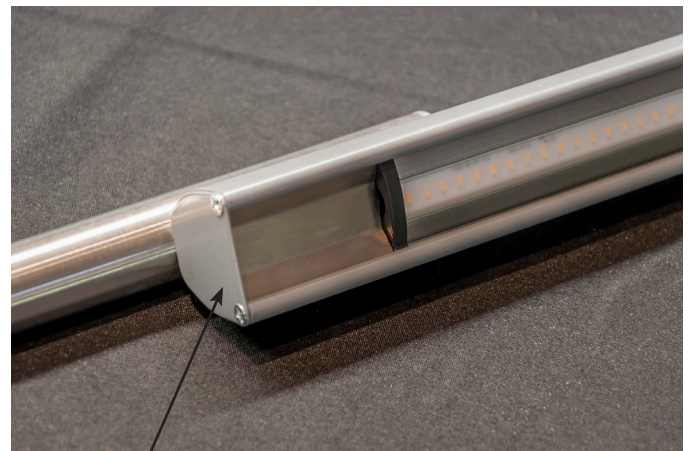
Each BSI light, warmer, or combo unit contains an identification sticker. This sticker provides the customer with the following information:

- Serial Number
- Model Number
- Manufacture Date
- Electrical Information



CHANGING THE LED BULB

- Turn off power to all lights and warmers.
- Carefully unscrew the end plate and slide out the entire LED light.
- If multiple lights are connected to each other, carefully disconnect serial connector or power connector.
- Once dead light bulb is removed, replace with new LED light. Carefully reconnect the connector and slide in the light bar.
- Replace end cover and two screws.



End Plate

LED LIGHTS

Part #	Description
16289	Kelly LED:_12" _LED_Light_Bar
16290	Kelly LED:_18" _LED_Light_Bar
16292	Kelly LED:_36" _LED_Light_Bar
16505	Kelly LED:_48" _LED_Light_Bar
16293	Kelly LED:_10' _Power_Cord_w/o_Plug
16294	Kelly LED:_Serial_Connector
16295	Kelly LED:_6" Power_Connector

HEATING ELEMENTS

Part #	Description
492-18-BK	Element:_18"_120V_Heater_350W
492-24-BK	Element:_24"_120V_Heater_500W
492-30-BK	Element:_30"_120V_Heater_660W
492-36-BK	Element:_36"_120V_Heater_800W
492-42-BK	Element:_42"_120V_Heater_950W
492-48-BK	Element:_48"_120V_Heater_1100W
492-54-BK	Element:_54"_120V_Heater_1250W
492-60-BK	Element:_60"_120V_Heater_1400W
492-66-BK	Element:_66"_120V_Heater_1560W

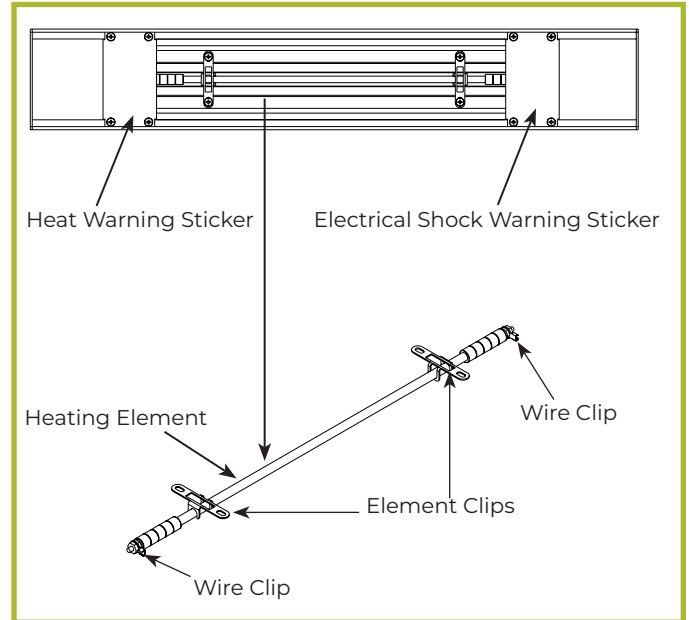
Part #	Description
496-24-BK	Element:_24"_208V_Heater_500W
496-30-BK	Element:_30"_208V_Heater_660W
496-36-BK	Element:_36"_208V_Heater_800W
496-42-BK	Element:_42"_208V_Heater_950W
496-48-BK	Element:_48"_208V_Heater_1100W
496-54-BK	Element:_54"_208V_Heater_1250W
496-60-BK	Element:_60"_208V_Heater_1400W
496-66-BK	Element:_66"_208V_Heater_1560W

240V Heat Elements are a special order item. Contact BSI at 1.800.662.9595 to order.

REPLACING THE TUBULAR HEATING ELEMENTS

On all three Stealth warmer units, the tubular heating element can burn out — similar to a light bulb.

Replacement should be done by a professional service technician. If you have additional questions, contact BSI at 1.800.662.9595.



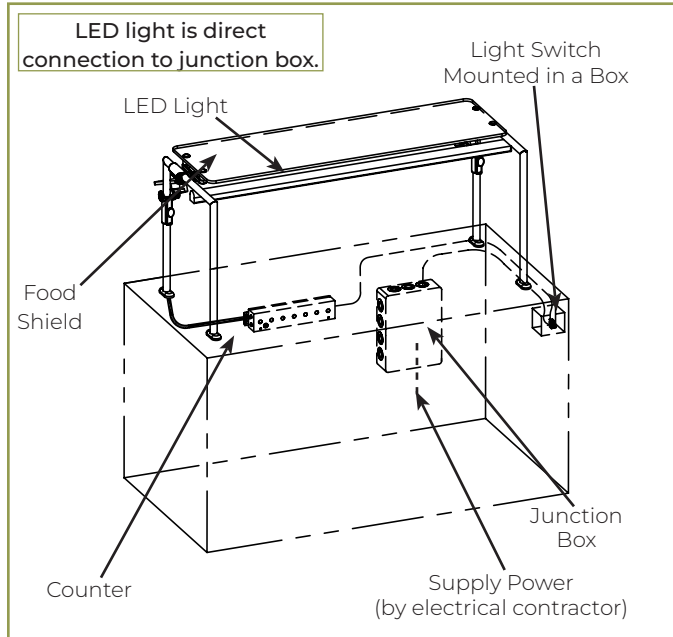
PARTS & SERVICE

In the event your lights or warmers require major repairs, contact your local installer for assistance.

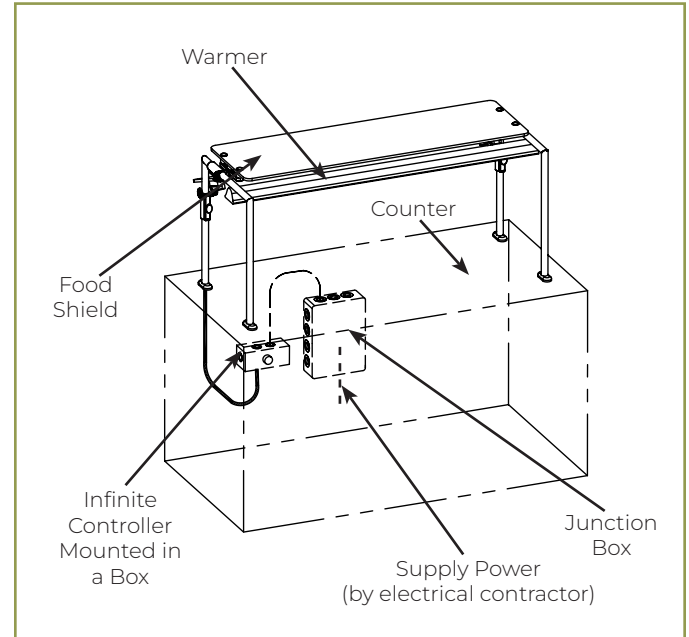
If you have product questions or need minor replacement parts, contact BSI at 1.800.662.9595.

WIRING INSTALLATIONS

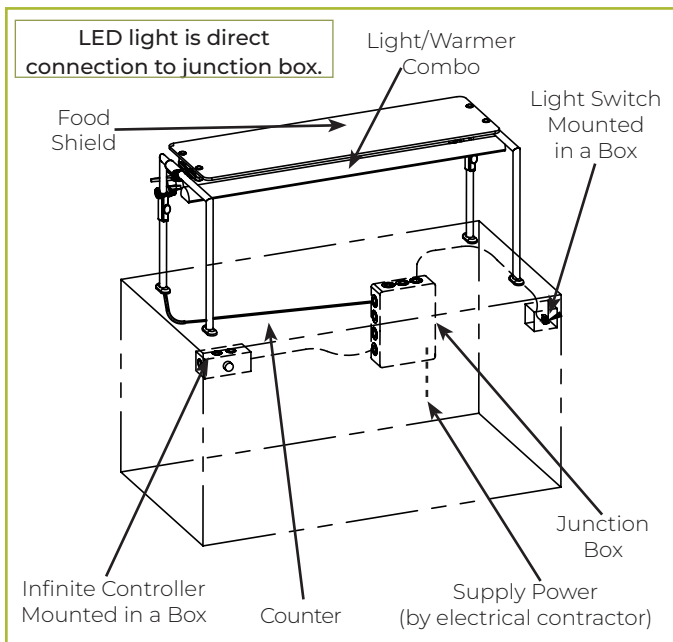
Slimline 2580 LED Light



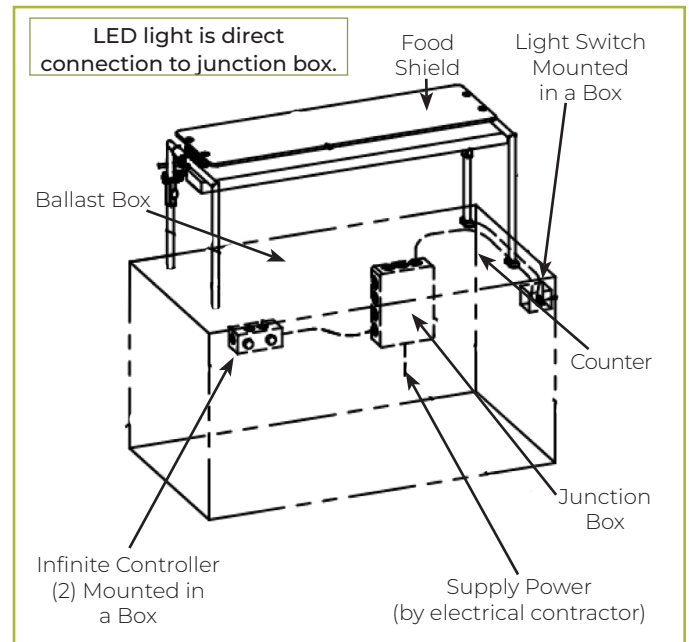
Stealth 790 Warmer



Stealth 705 LED Light & Warmer Combo



Stealth 500 LED Heat/Light/Heat Combo

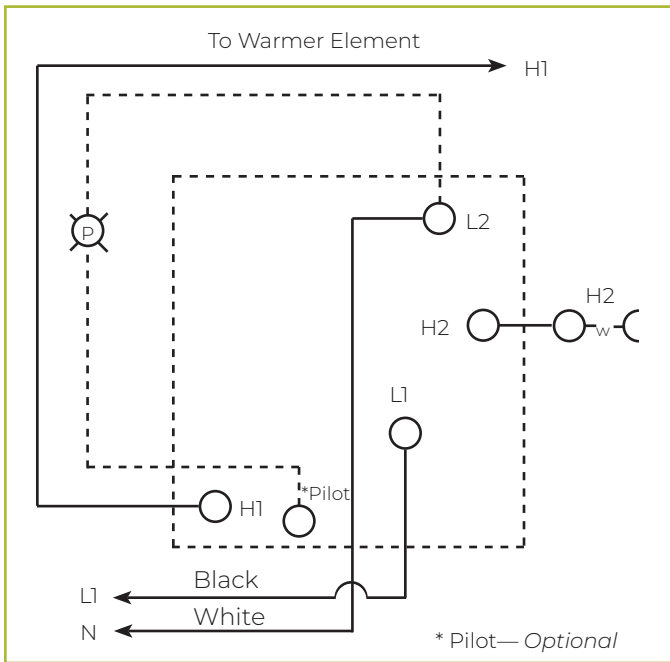


INSTALLATION INFORMATION

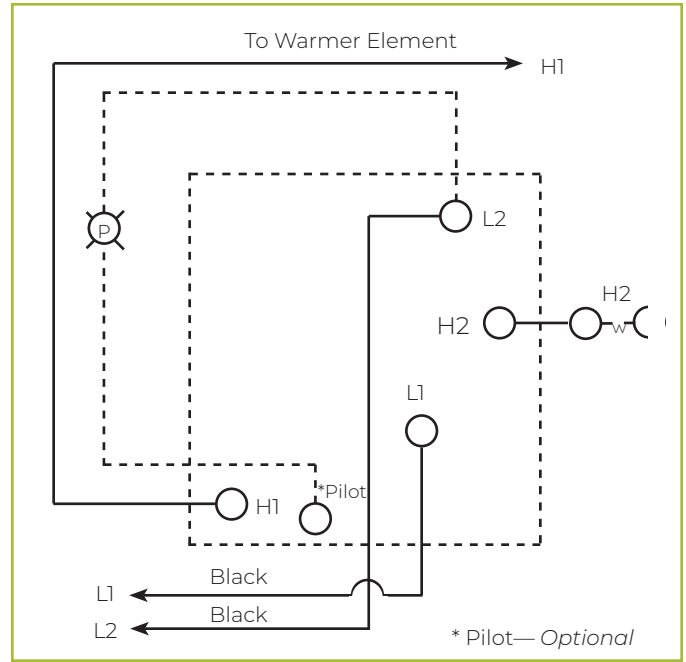
- All wiring should be performed by a certified technician.
- Wires are routed through wire chase/support legs per approved shop drawings.
- Mount the infinite controllers near the wire chase/support leg.
- The infinite controllers, light switch, and six feet of conduit/wiring exiting support legs are provided with all BSI lights & warmers.

WIRING DIAGRAMS

Remote Infinite Control for Stealth Warmer/Combo Units



Infinite Switch (120V) - Part #581



Infinite Switch (208V/240V) - Part #582

BSI, LLC WARRANTY

BSI, LLC warrants its products to be free of material and workmanship defects under normal use from the date of original purchase and for the applicable warranty periods set forth below. BSI, LLC's warranty extends only to original purchasers acquiring new products purchased in the United States directly from BSI, LLC, its authorized dealers, or other companies specifically authorized by BSI, LLC to act as resellers of its products.

ZGUARD®

BSI, LLC warrants ZGuard against material and workmanship defects for a period of two years from invoice date. This excludes post-installation glass chipping or breakage that can be explained as "standard wear and tear."

STEALTH WARMERS

BSI, LLC warrants the Stealth housing and warming element against material and workmanship defects for a period of two years from invoice date.

SLIMLINE LED LIGHT

The Slimline LED light warranty covers the ballast for material and workmanship for a period of two years from invoice date. The LED bulb itself is not covered under warranty.

THERE ARE NO WARRANTIES EXCEPT AS STATED ABOVE, WHETHER EXPRESSED OR IMPLIED, INCLUDING, BUT NOT LIMITED TO, ANY WARRANTY OF MERCHANTABILITY OR FITNESS FOR A PARTICULAR PURPOSE. Warranties do not apply to products that have been altered in any way or to products subjected to misuse, abuse, neglect, accident, or damage in transit. Warranty is void if products are used, held, or stored in an unsupervised environment. BSI, LLC's liability shall be limited to product repair or replacement, or refund of purchase price issued at the discretion of BSI, LLC. BSI, LLC will not be liable, under any circumstances, for incidental or consequential damages (including, without limitation, to lost profits) arising in connection with the sale, use, inability to use, repair, or replacement of BSI, LLC's products. The liability of BSI, LLC arising from any cause shall not exceed the price paid for the products.

Any breach claim of the foregoing warranties shall be deemed waived unless submitted to BSI, LLC in writing within 30 days of alleged defect discovery date or by reasonable inspection should have been discovered. Merchandise must be returned to the BSI, LLC factory, freight prepaid, and will not be accepted unless a prior Return Merchandise Authorization (RMA) has been issued by BSI, LLC. A copy of the original invoice must accompany the returned merchandise to verify the original purchase date and warranty entitlement. Any cause of action for breach of the foregoing warranties shall be deemed waived unless brought within one year of claim submission.